

## Instructions



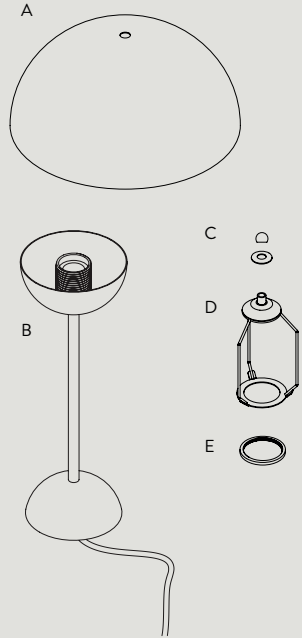
# Flowerpot VP3 Verner Panton 1968

---

Congratulations on your new Flowerpot table lamp, designed in 1968 by Verner Panton. We hope you will enjoy using this product and follow these instructions to ensure correct use. If you have any questions or comments, please do not hesitate to contact us by mail on:

[info@andtradition.com](mailto:info@andtradition.com)

# Flowerpot VP3 Verner Panton 1968



Please read these instructions carefully and retain them for future reference to ensure that the product is used correctly. For your own safety, please study each step of this instruction manual first. &Tradition is not responsible for any faults or damages caused by not following these instructions correctly. Do not modify this product in any way.

## Contents

- A Lamp shade
- B Lamp base
- C Logo ring & ball nut
- D Shade stand
- E Lamp holder ring

## Tools needed

- Bulb type E27

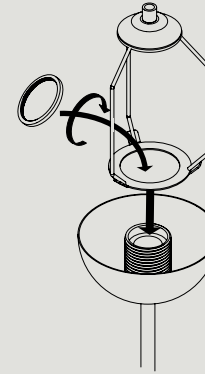
## Safety precautions

- Dispose of plastic bag from packaging and do not allow children to play with it.
- Keep product well out of children's reach.
- The lamp is only intended for interior use.
- Lamp exterior gets hot after prolong use.
- Consult a professionally qualified electrician if in any doubt.
- Do not place the cable within reach of small children or anywhere with a risk of falling over it.
- If the external cable or cord of this lamp is damaged, it must be replaced by the manufacture or a similar qualified person in order to avoid a hazard.

## Cleaning instructions

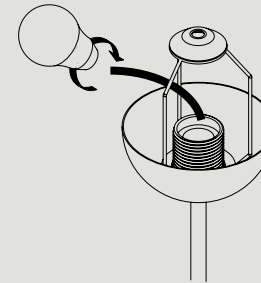
- Wipe surface of the glass shade with a soft, damp sponge or cloth, and wipe immediately with a dry cloth.
- Do not use any abrasive cleaning tools such as steel wool, scouring sponges or stiff brushes.
- Never use strong cleaning agents such as white spirit, turpentine, household glass cleaner or cellulose thinners.
- Only wipe the inside of the shade with a soft, damp cloth or feather duster.

For indoor use only  
E27 maximum 40W  
Bulb not included



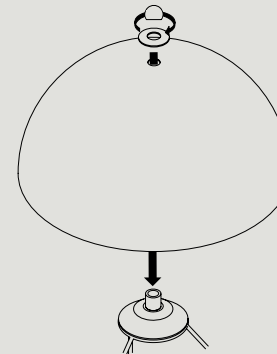
## Step 1

Unpack the lamp. Place the shade stand onto the socket and fix in place by mounting the plastic ring.



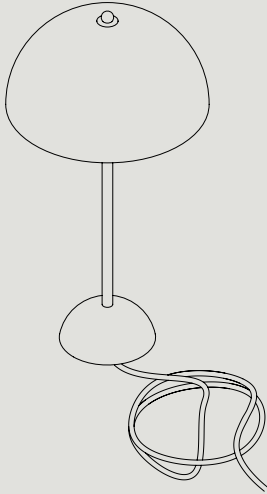
## Step 2

Place the light bulb on the socket and ensure that it sits tight. Avoid using a bulb which comes in direct contact with the shade.



## Step 3

Place the shade on top of the shade stand. Put the logo ring on top of the shade and mount and tighten the ball nut. Ensure that the shade is tightly assembled to the lamp.



#### Step 4

Connect the lamp to an electrical socket and enjoy using your new lamp.

