



**MATERIAL OPTIONS**



**249 BUTTERFLY CHAIR**

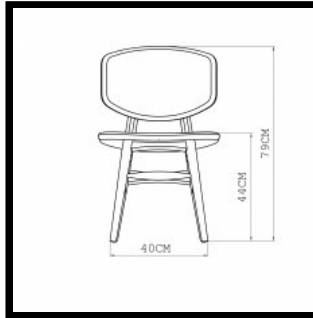
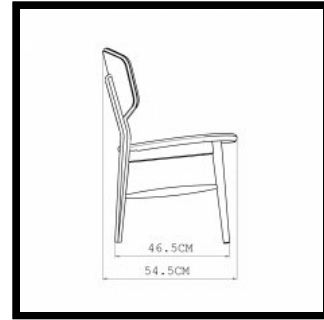
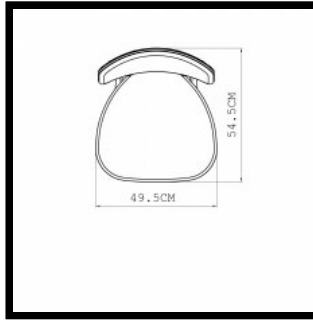
The timber backrest wraps around this chair as the wings of a butterfly. A comfortable and understated design, it has become a favourite for contract projects worldwide.

**SIZE**

W49.5 × D54.5 × H79 cm, seat height 44 cm  
W19 1/2 × D21 1/2 × H31 ", seat height 17 1/3 "

**SPECIFICATION**

Available in American black walnut, American white oak, or European Ash in a range of finishes, and a range of fabric and leather options. Click on 'Materials' in the left hand menu for further information.



**249 BUTTERFLY CHAIR**

W49.5 × D54.5 × H79 cm, seat height 44 cm

W19 1/2 × D21 1/2 × H31 ", seat height 17 1/3 "

0

1

A

U

F

O

B

A

N